



RAISE YOUR EXPECTATIONS



MULTIMASS XS
BOX

MULTIMASS XS 250
MULTIMASS XS 400
MULTIMASS XS 600
BOX 100L
BOX 150L

User Manual

Read carefully before use

Dear user,

Thank you for placing your trust in us. We hope you will find your MULTIMASS XS or your MX BOX satisfactory in every way.

Your MULTIMASS user manual is an important document. Keep it in a safe place along with the fitting instructions supplied by your dealer, so they can be consulted when necessary. These documents should be kept available to any other users and provided to any new owner in the event that you sell your MULTIMASS MX at a later date.

The illustrations and technical data shown in this document may not correspond exactly to your MULTIMASS, although the operating requirements will nevertheless remain unchanged.

You can access the original manuals in English on the www.m-x.eu website:
Click on the English version of the site, then on 'Documentation/User Manuals'.

MX is a trademark of M-extend France SAS, SIREN 639 200 260, RCS Rennes, 19 Rue de Rennes, BP 83 221 - 35 690 Acigné, France.

CONTENTS

1. SAFETY RULES	6
1.1 Safety rules	6
1.2 Non-compliance with the safety and usage rules	7
2. SAFETY STICKERS	7
3. DESCRIPTION OF THE MULTIMASS XS/BOX	8
3.1 MULTIMASS XS	8
3.2 BOX	9
3.3 Multimass XS/BOX options	9
4. MULTIMASS XS/BOX HITCHING CATEGORIES	10
5. CATEGORY 1N HITCHING	11
6. CATEGORY 1 AND 2 HITCHING	12
7. AUTOMATIC HITCHING	13
8. HITCHING TRIANGLE	14
9. FILLING THE BOX	15
10. MULTIBOX XS	16
11. CHAINSAW CARRIER	17
12. COUNTERWEIGHT	18
13. TECHNICAL SPECIFICATIONS	19

1. Safety rules

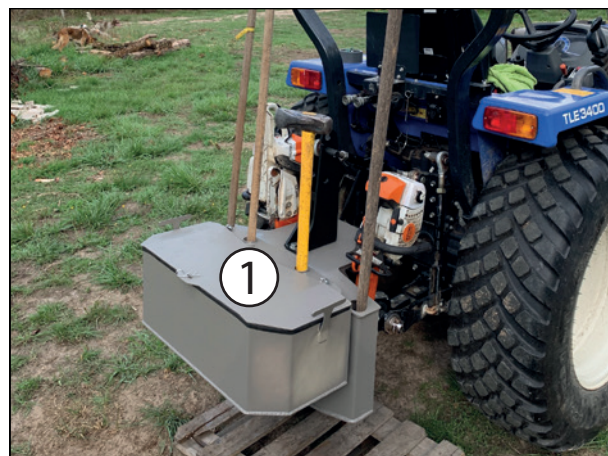
1.1 Safety rules

- Use a 3-point hitch for road use (safety) and when using the towing clevis.
- Once the MULTIMASS or BOX is hitched, check that the hitching coupling yokes or hooks are locked.
- After using the tractor, place the weight on the ground.
- When unhitching the weight, ensure that the ground is flat and solid.
- When using the Multibox XS, ensure that the unit remains stable when unhitching the weight + multibox unit
- For the Cat 1N hitch, the internal distance between the coupling balls is 405 mm.
- For the Cat 1 hitch, the internal distance between the coupling balls is 683 mm.
- Before using the XS weight or BOX, check that there is no interference with the tractor.
- For the Cat 2 hitch, the internal distance between the coupling balls is 825 mm.

⚠ CAUTION: Carry out a lifting test to check proper operation of the tractor/linkage/weight assembly (drawbar, ladder hitch, pick-up hook, grille, tyres, etc.).

- Tool carriers (1):
- Ensure that the tools (chainsaws, straps, pickaxes, etc.) are properly secured, to avoid any losses when underway.

NOTE: 4 holes Ø53mm, not available on BOX.



Towing clevis (2):

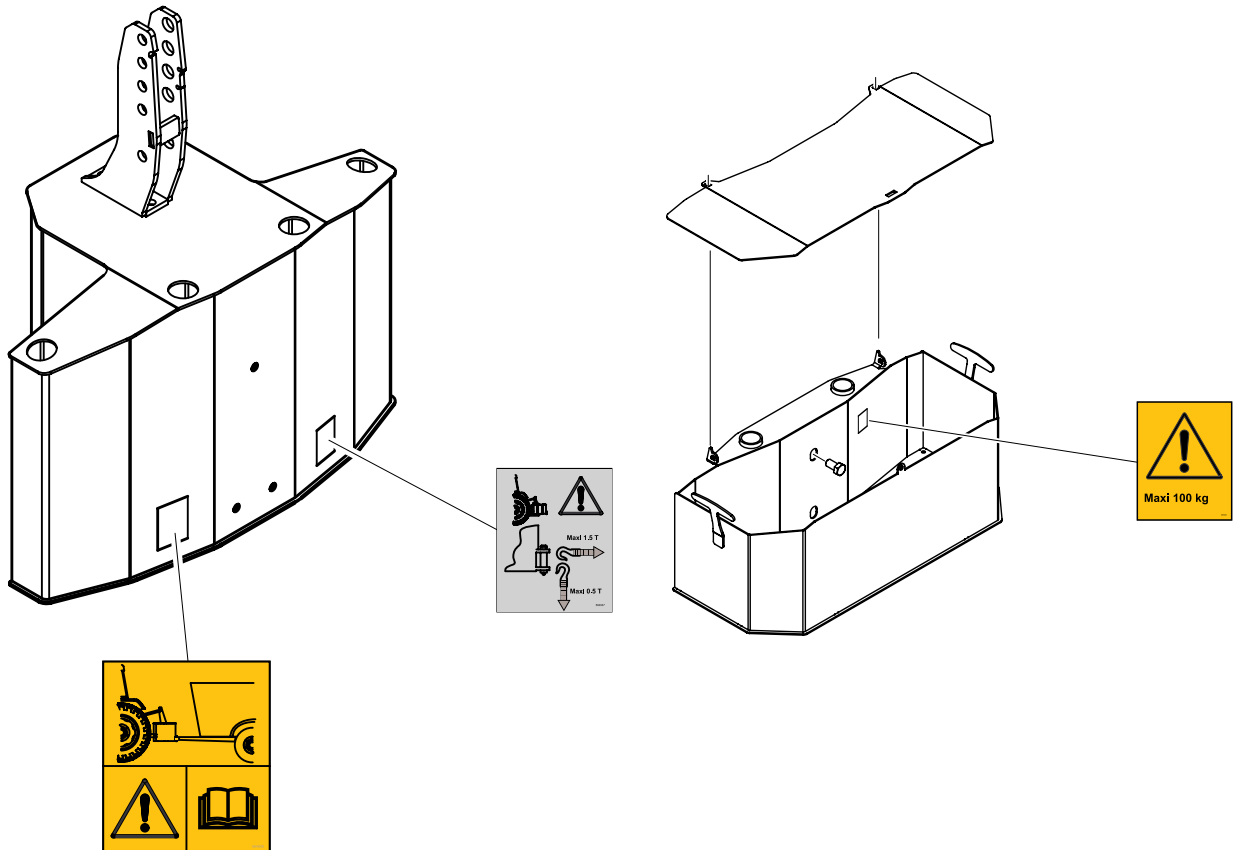
- Maximum force in horizontal load is 1.5 tonnes and in vertical load is 0.5 tonne.
- The towing clevis is only intended for towing wheeled equipment.
- The towing clevis is not approved for use on public roads.
- The towing clevis is not compatible with a MULTIBOX fitted to a MULTIMASS XS 250.



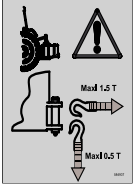


1.2 Non-compliance with the safety and usage rules

- Any modification to an MX supplied part shall invalidate the MX warranty on all its equipment.
- Use only genuine MX spare parts. Do not modify your MX equipment yourself, or have it modified by anyone else, without requesting prior written authorisation from MX. Failure to comply with these rules may render your MX equipment dangerous. In the event of damage or injury, MX shall not be held responsible in any way.
- Warranty cover will cease immediately in the event of failure to observe the standards and instructions for use and maintenance of the MX equipment, as stipulated in the user manual. MX shall not be held liable for any accident that might result from actions contrary to these restrictions.

2. Safety stickers



Ensure that these stickers are clean and legible. They should be replaced if they become damaged. When changing a sticker, clean the surface used for the sticker with isopropyl alcohol and affix the sticker using a special tool.



Sticker	Description
	Maximum horizontal tensile stress 1.5 T. Maximum vertical tensile stress 0.5 T.
	Read the operator's manual before using the towing clevis. When using the towing clevis, make sure it is hitched at 3 points. Do not use the towing clevis on public roads.
	Do not load the MULTIBOX with more than 100 kg

3. Description of the Multimass XS/BOX

3.1 MULTIMASS XS



Weight	Model
	MULTIMASS XS - 250 kg
	MULTIMASS XS - 400 kg
	MULTIMASS XS - 600 kg

3.2 BOX

BOX	Model
	BOX - 100L
	BOX - 150L

3.3 Multimass XS/BOX options

* optional equipment.

Option	Model
	Multibox *
	Chainsaw carrier *

4. Multimass XS/BOX hitching categories

 The Multimass XS/BOX can use different types of hitching:

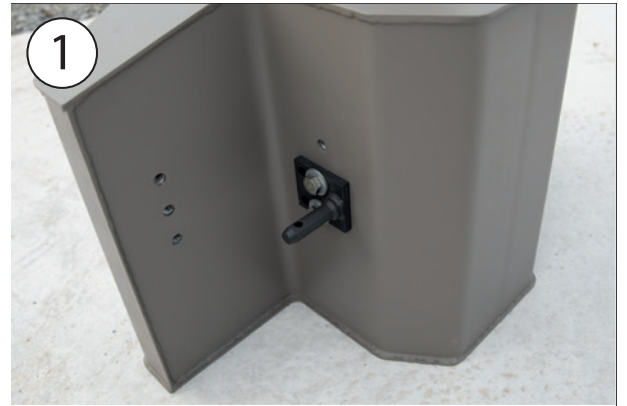
Hitching category	CAT 1N	CAT 1 and 2	Automatic	Triangle CAT 1N
Multimass XS 250	X	X	X	X
Multimass XS 400	X	X	X	X
Multimass XS 600		X	X	
Box 100 L	X	X	X	X
Box 150L		X	X	

5. Category 1N hitching

! Refer to the 'Multimass XS/BOX hitching categories' section to check whether your Multimass/BOX is compatible with this type of hitching.

IMPORTANT: The CAT 1N hitch is not available for Multimass XS 600 and 150L BOX.

- Install the coupling balls.
- Adjust the height in accordance with the linkage.

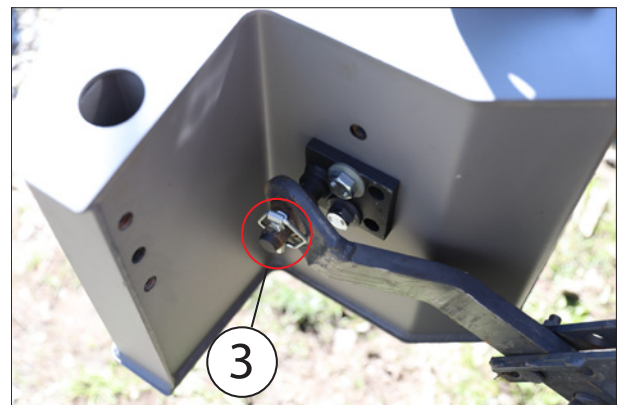


NOTE: The height can be adjusted to suit position (1) or (2).



- Secure each coupling ball with a pin

CAUTION: Check that the pin (3) is correctly positioned.



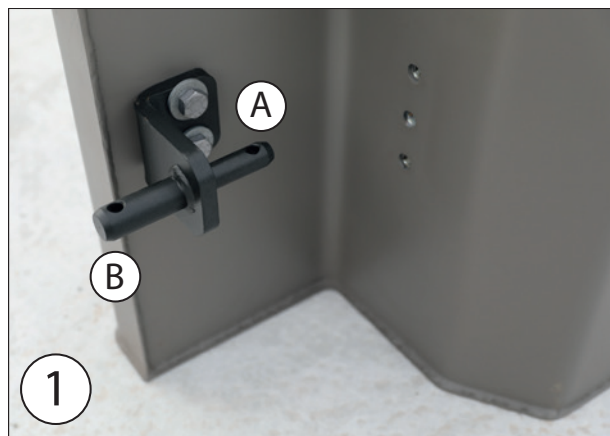
- Attach and adjust the third hitch bar.



6. Category 1 and 2 hitching

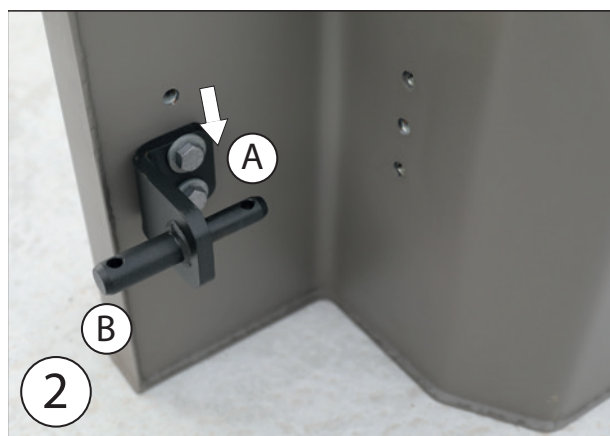
! Refer to the 'Multimass XS/BOX hitching categories' section to check whether your Multimass/BOX is compatible with this type of hitching.

- Fit the coupling balls to suit the type of hitch.
- Adjust the height in accordance with the linkage.



(A) CAT 1 (B) CAT 2

NOTE: The height can be adjusted to suit position (1) or (2).



(A) CAT 1 (B) CAT 2

— Attach and adjust the third hitch bar.

CAUTION: Check that the pin (3) is correctly positioned.

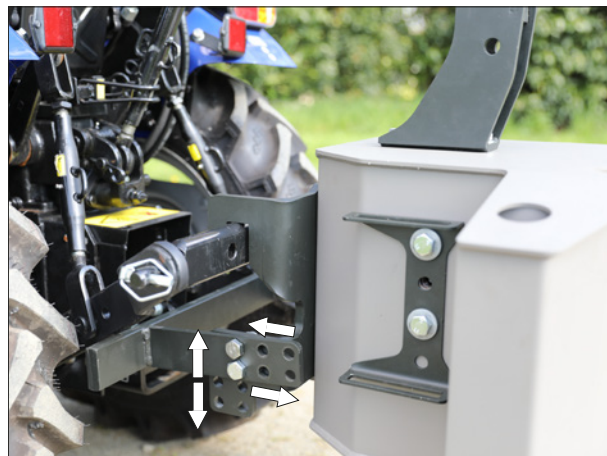


7. Automatic hitching

! Refer to the 'Multimass XS/BOX hitching categories' section to check whether your Multimass/BOX is compatible with this type of hitching.

CAUTION: Do not use automatic hitching while driving on public roads.

— Adjust the automatic hitching to suit your linkage.



— Position the bar against the stop.

NOTE: Check the effective locking of the bar with the pins.

NOTE: * **Bar dimensions:** between 450 and 660 mm long off-pins and 35 mm maximum thickness



- Carry out a lifting test to check linkage/weight stability.

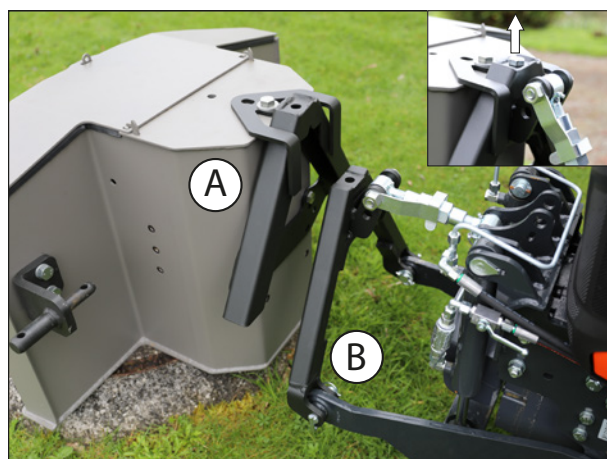


8. Hitching triangle

! Refer to the 'Multimass XS/BOX hitching categories' section to check whether your Multimass/BOX is compatible with this type of hitching.

IMPORTANT: The CAT 1N hitch is not available for Multimass XS 600 and 150L BOX.

- Mounting female triangle A on the Multimass or the BOX.
- Mounting male triangle B to the linkage.
- Remove the screw from the male triangle.



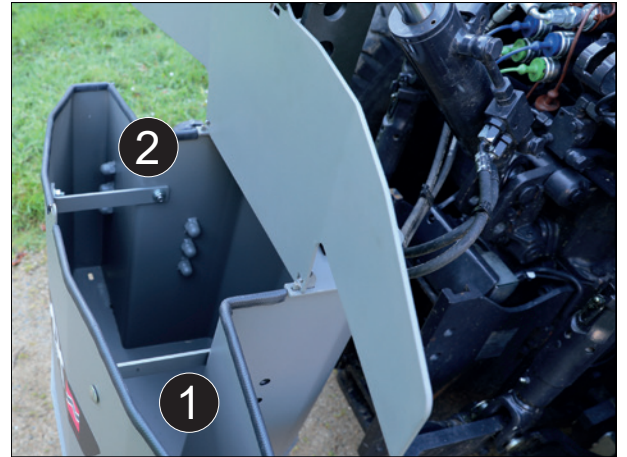
- Fit the male triangle reference B into the female triangle reference A.
- Retighten the screw in the triangles. This acts as a lock.
- Adjust the 3rd link bar if necessary.



9. Filling the box

The BOX can be used as storage space or as ballast:

- Install the reinforcement plates (1) and (2).
- Check that all the BOX fasteners are tightened properly.



- Fill the box with concrete leaving a minimum of 5 cm from the top edge.

NOTE: Metal or stone can be added to increase the weight. It is recommended to shake the box to distribute the concrete evenly with the other elements.

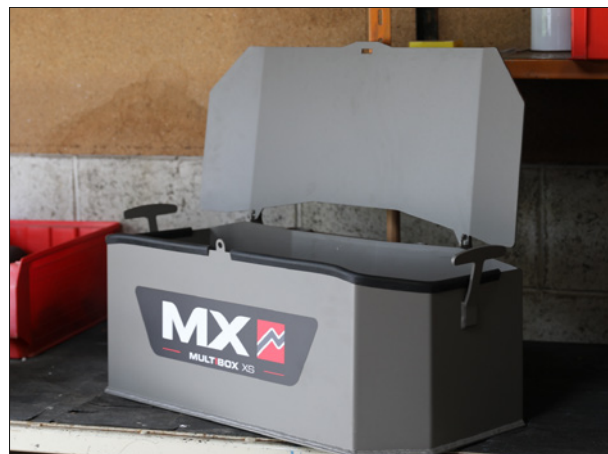
NOTE: Do not fill the box completely in order to retain storage space if necessary.



10. MULTIBOX XS

⚠ CAUTION: The Multibox XS is not compatible with BOXes.

The MULTIBOX MBX is a storage box that can be fitted on the front of the ballast/weight.



10.3.1 Hitching the MULTIBOX to the weight

— Fit the MULTIBOX onto the MULTIMASS.



— Secure the Multibox XS with the screw and washer.



NOTE: The Multibox XS can be locked with a padlock.

NOTE: The Multibox XS can be filled in order to use it as additional weight.

Additional ballast by filling the MULTIBOX XS with:

- **Concrete:** 125 kg
- **Sand:** 107 kg



11. Chainsaw carrier

- Apply the plate to the Multimass XS or BOX.
- Lock the plate with the washers and screws.



(A) CAT 1N



(B) CAT 1 and 2

⚠ CAUTION: Check that the chainsaw does not interfere with the linkage when stored away.

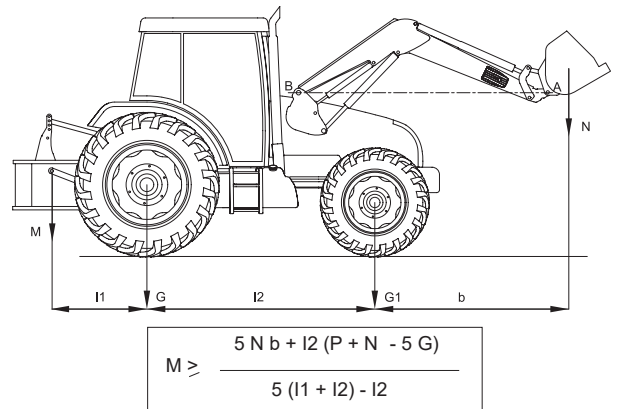


12. Counterweight

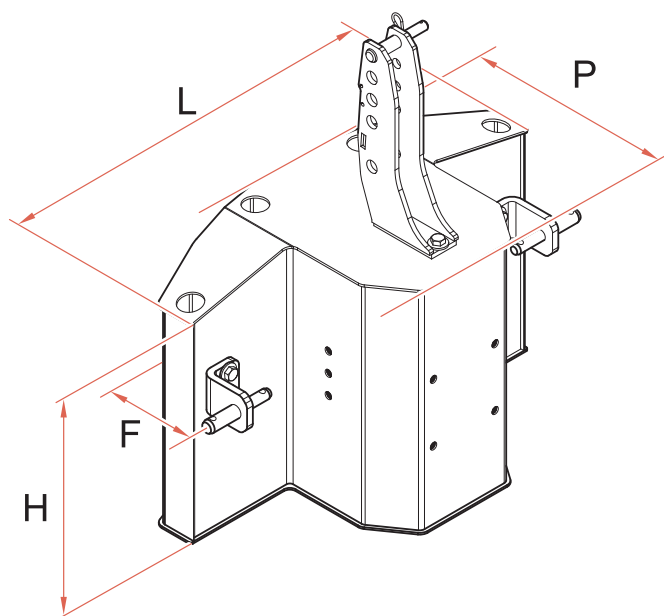
The stability of the tractor-loader unit can only be ensured with a counterweight installed on the rear of the tractor. This should ensure that 20% of the gross weight (tractor, loader, implement, maximum load and counterweight) bears on the rear axle of the tractor for optimum working safety.

The formula below is used to calculate the counterweight (M) (standard EN12525 + A2 2010).

- G: Load on the rear axle, with no counterweight, with empty implement (kg).
- G1: Load on the front axle, with no counterweight, with empty implement (kg).
- b: Distance from front axle to the implement's centre of gravity (mm).
- l1: Distance from the linkage arm pin to the rear axle (mm).
- l2: Wheelbase (mm).
- N: Usable load of the loader for implement pivot point (A) horizontal with the loader pivot point (B) (kg).
- P: G + G1 (kg).
- M: Counterweight (kg).



13. Technical specifications



	MULTIMASS 250 XS	MULTIMASS 400 XS/ BOX 100L	MULTIMASS 600 XS/ BOX 150L	MULTIBOX
Hitching type	1N/ 1/ 2	1N/ 1/ 2	1/ 2	–
F (mm) Overhang	CAT1N / 130 OR 220 CAT 1 and 2: 130	CAT1N / 130 OR 220 CAT 1 and 2: 130	200	320
H (mm) Height	400	550	550	276
L (mm) Width	768	878	969	750
P (mm) Length	440	460	500	320
Capacity (Liters)	–	107	153	52

DECLARATION OF CONFORMITY



The manufacturer:

M-extend France SAS

Registered office: 19, Rue de Rennes, 35690 Acigné (France).

Registered with the RCS of Rennes under number 639 200 260.

Hereby declares that the material :

Front loader T408evo or T408+evo or T410evo or T410+evo or T412evo or T412+evo or T414evo or T417evo or T418evo or TX420evo or TX425evo or TX430evo

or

Front loader U503 or U504 or U505 or U506 or U506+ or U507 or U508 or U508+ or U509 or U510 or U510+ or U511 or U512 or U512+ or U514 or U514+

or

Front loader A104 or A106 or A110 or F303 or F304

or

Front loader C1 or C1s or C2u or C2 or C2+ or C3u or C3 or C3+ or C4 or C4+

or

Loader implement BMS or BRDS or BQU or BF + GF or CGU or TR or TRu or BMSC or CGC or TRC or BT or BR or BC or BF or BMSU or BRU or BFU or CL or BRC or BFC or LC or CG or BP or SG or BB or PCS or LS or PG

or

Implement for telescopic handler loader BMSA or CGA or BTA or TR or BCA or BCDA

or

Feeding bucket BD or GDT

or

Manubal L40 or L400 or L400HD or L500 or L6000 or C30 or C40 or U40 or V40 or V60 or V500 or W500 or V400HD or V5000HD or V7000HD

or

Front linkage R04 or R05 or R06 or R08 or R09 or R10 or R12 or R16 or R20 or R28 or R38 or R53

or

Weight M250 or M400 or MM600 or MM900 or MM1200 or MM1500 or MM400AD or MBX or MXS 250 or MXS 400 or MXS 600 or BOX 100L or BOX 150L or MBX XS

or

Multibumper

serial number:

please write in the box above the serial number given on the equipment's nameplate.

included in the list of serial numbers 000001001 to 999999365,

**is in conformity with the Machinery Directive 2006/42/EC
and with the Supply of Machinery (Safety) Regulations 2008.**

M-extend France SAS, 19 rue de Rennes at Acigné (35690), is authorised to prepare the technical file.

Acigné, 2 September 2025.

**B. Gauchenot
CEO**



M-extend France SAS
19, rue de Rennes
B.P. 83221
FR-35690 ACIGNÉ
Email : contact@m-x.eu
Web : www.m-x.eu