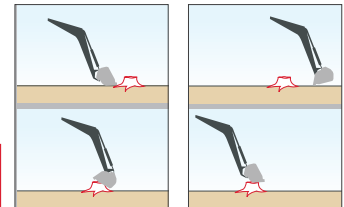




## ▶ TECHNICAL SPECIFICATIONS

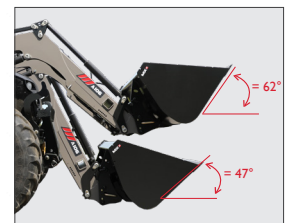
MACH System® – sealed instant coupling of tractor to loader hydraulic and electric lines.



The dumping rams are linked to a double pressure limiter, also known as an anti-impact valve, which protects the loader in both forwards and reverse (scraping) motion.



Easy hitching/unhitching, using the FITLOCK 2M®. Requires leaving the cab just once. Manual locking.



Crowding angle: 62° at 1.00 m above ground level.



Parking stands fully integrated into the loader arms. When stowed, they serve as a protective cover for the hydraulic hoses.



Automatic locking implement carrier. Unlocking handles accessible from each side of the frame.



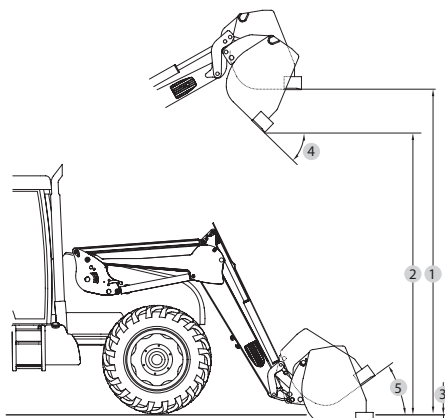
**3 MODELS FOR TRACTORS OVER 40 HP**

**MX A104**

**MX A106**

**MX A110**

<b>TRACTOR</b>	<b>TRACTOR POWER (hp)</b>	40 - 80	60 - 90	90 - 140
	<b>NO. OF CYLINDERS</b>	3 - 4	3 - 4	4
	<b>MAX FRONT TYRES (4WD)</b>	12-4 R24	13-6 R24	14-9 R24
	<b>WEIGHT</b>	4000 kg	4300 kg	6500 kg
	<b>LIFTING HEIGHT</b>			
	<b>Maximum height at implement pivot*</b>	<b>3.50 m</b>	<b>3.80 m</b>	<b>4.00 m</b>
	① Max. height under horizontal bucket	3.15 m	3.45 m	3.65 m
	② Max. height under dumped bucket#	2.50 m	2.80 m	3.00 m
	<b>WORKING ANGLES</b>			
	④ Dumping angle at full height#	55°	55°	55°
⑤ Crowd angle at ground level#	47°	47°	47°	
<b>DIGGING DEPTH</b> ③	0.15 m	0.15 m	0.15 m	
<b>LIFT FORCE AT IMPLEMENT PIVOT, GROUND LEVEL*</b>	2000 kg	2180 kg	2300 kg	
<b>LIFT CAPACITY AT IMPLEMENT PIVOT OVER THE ENTIRE LIFTING RANGE*</b>	1600 kg	2020 kg	2170 kg	
<b>PAYLOAD ON PALLET AT 600 MM OUT ON FORKS</b>				
At ground level :	1400 kg	1700 kg	2000 kg	
2 m from the ground :	1430 kg	1725 kg	1950 kg	
3 m from the ground :	1375 kg	1685 kg	1900 kg	
<b>Max. height :</b>	<b>1350 kg</b>	<b>1575 kg</b>	<b>1800 kg</b>	
<b>LIFTING TIME</b>	3.7 s	4.3 s	5 s	
<b>DUMPING TIME</b>	1.8 s	2 s	2.1 s	
<b>WEIGHT WITHOUT EQUIPMENT</b>	430 kg	440 kg	500 kg	



Specifications determined at pressure of 195 bar and flow rate of 60 litres/min.

Data may vary depending on the type of tractor being equipped.

\* Payloads only. Implement ground and pivot axis values cannot be used / Lift force and capacity at the pivot axis are calculated without an implement hitched to the loader

\*\* Payload is calculated with a 180 kg implement

#Values given for an earth bucket.



**A100 SERIES**

[www.m-x.eu](http://www.m-x.eu)