



## ▶ TECHNICAL SPECIFICATIONS

The hydraulic unit and circuits are fully integrated and protected for maneuvering in the tight rows of vineyards and orchards.



Crowding reserve: +20° of crowding reserve to a height of 1.15 m, thanks to the loader linkage and the design of the dumping rams.



**EXCLUSIVITY MX**

### CLEAR-LINK SYSTEM PARALLELOGRAM : DESIGNED TO LAST

This mechanical parallelogram design covers the full height of the loader to the dumping ram for maximum integration and optimum visibility.

The parking stands are fully integrated into the loader arms and have their own simple and effective locking/unlocking mechanism.



Positioned under the cross-bar and thus affording optimal visibility from the cab, the unit has two anti-impact valves (double pressure limiters) as standard and the 3rd function solenoid valve (3rd function optional).

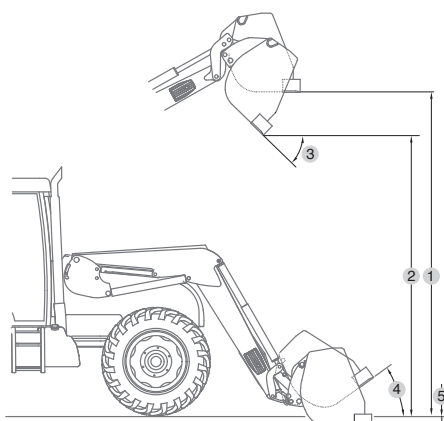


**2 MODELS FOR TRACTORS SPECIALIZED FOR VINES AND VINEYARDS OVER 60 HP**

**MX F303**

**MX F304**

<b>TRACTOR</b>	<b>TRACTOR POWER (hp)</b>	60 - 120	60 - 120
	<b>NO. OF CYLINDERS</b>	3 - 4	3 - 4
<b>MAX FRONT TYRES (4WD)</b>	11-2 R20	11-2 R20	
<b>WEIGHT</b>	4000 kg	4300 kg	
<b>LIFTING HEIGHT</b>			
	<b>Maximum height at implement pivot*</b>	<b>3.20 m</b>	<b>3.20 m</b>
①	Max. height under horizontal bucket	2.95 m	2.95 m
②	Max. height under dumped bucket#	2.40 m	2.40 m
<b>WORKING ANGLES</b>			
④	Dumping angle at full height#	48°	48°
⑤	Crowd angle at ground level#	45°	45°
	<b>DIGGING DEPTH</b> ③	0.15 m	0.15 m
	<b>LIFT FORCE AT IMPLEMENT PIVOT, GROUND LEVEL*</b>	1740 kg	1710 kg
	<b>LIFT CAPACITY AT IMPLEMENT PIVOT OVER THE ENTIRE LIFTING RANGE*</b>	1500 kg	1480 kg
	<b>PAYLOAD ON PALLET AT 600 MM OUT ON FORKS</b>		
	At ground level :	1045 kg	1300 kg
	2 m from the ground :	940 kg	1255 kg
	3 m from the ground :	855 kg	1255 kg
	<b>Max. height :</b>	<b>835 kg</b>	<b>1255 kg</b>
	<b>LIFTING TIME</b>	3.0 s	3.0 s
	<b>DUMPING TIME</b>	1.4 s	1.4 s
	<b>WEIGHT WITHOUT EQUIPMENT</b>	375 kg	422 kg



Specifications determined at pressure of 195 bar and flow rate of 60 litres/min.

Data may vary depending on the type of tractor being equipped.

\* Payloads only. Implement ground and pivot axis values cannot be used / Lift force and capacity at the pivot axis are calculated without an implement hitched to the loader

\*\* Payload is calculated with a 180 kg implement

#Values given for an earth bucket.



**F300 SERIES**

[www.m-x.eu](http://www.m-x.eu)