

U500

■ ■ ■ SERIES

MX 





Watch in video

U500

■■■■ SERIES

FOR YOUR EVERYDAY CHALLENGES

Our constant focus on user requirements and innovative approach to product development has led to a comprehensive rethink of our U range of loaders.

Our new product, the U500, has been designed to meet your everyday challenges. Both ergonomic and streamlined, with a strong emphasis on quality, values that have been close to our hearts since 1951.

The U500 series comprises of 16 models, with or without parallelogram, which offer a perfect combination of lift height and power for your everyday handling needs : feeding, mucking out, storage, etc.

Enjoy your discovery





Focus U500 Series

DISCOVER THE U500 RANGE OF LOADERS
DESIGNED FOR YOUR EVERYDAY CHALLENGES

Features at a glance ■■■ 06-13

Wide variety of equipment available ■■■ 14-15

Features and optimal equipment ■■■ 16-17

Performance data ■■■ 18-19

AT A GLANCE

U500 features at a glance

▶ REVISED ERGONOMICS

VISIBILITY

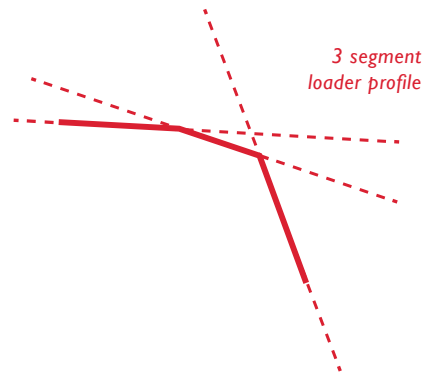
SIMPLICITY

USABILITY



**FOCUS ON VISIBILITY,
THE CORE THINKING BEHIND THIS NEW RANGE !**

- ■ ■ Lowered parallelogram and cross-beam for improved working visibility
- ■ ■ Significant reduction of the loader's knee profile
- ■ ■ Modern and sleek design that follows the tractor's bonnet



**FITLOCK 2+ SYSTEM :
LOADER HITCHING AND UNHITCHING**

- ■ ■ Single descent to hitch/unhitch
- ■ ■ Automatic locking and unlocking, using a conveniently positioned handle, away from the tractor's exhaust and lights
- ■ ■ A clear and effective locking indicator for improved safety



Discover the loader hitching and unhitching video



ENGAGE AND GUIDE

IT'S LOCKED



**DECOMPRESSION
OF THE 3RD FUNCTION : EASY-PLUG**

Connecting/disconnecting the 3rd function hoses is no longer a problem

- Quick and effortless – No need to decompress the 3rd function from inside the tractor's cab
- Handle easily accessible from the front left-hand side of the loader
- Eliminates back pressures for hassle free connection of hydraulic couplers
- 100% mechanical system
- Compatible with MX controls or original tractor joystick (2 spool valves)

HOW DOES IT WORK?

1

Pull the handle towards you



2

The 3rd function line is depressurised!



3

All you need to do now is easily connect or disconnect!



EASY-PLUG



Watch the **Easy-Plug** system demonstration video





▶ STREAMLINED, INTEGRATED DESIGN

MODERN TWO-TONE TITANIUM AND ANTHRACITE GREY FINISH

- Accentuates the loader's functions
- Tough textured paint finish, for maximum performance :

Coverage : total application,
even on the thinnest edges

Non-stick : for easy daily cleaning
of the loader

INTEGRATED PARKING STANDS UNDER THE LOADER

- Integrated and protected the parking stands fold, into the loaders profile
- Optimal working height is maintained: with only 3 cm of overhang
- No loss of visibility when raising the loader



HYDRAULIC AND ELECTRICAL PROTECTION

- Two clamps guide and protect loader hoses

No contact
with tractor parts

Clean finish with the addition
of an abrasion-resistant nylon sheath

- Double-braided hoses, fully protected inside the loader jib
- Compact, neatly integrated hydraulic block

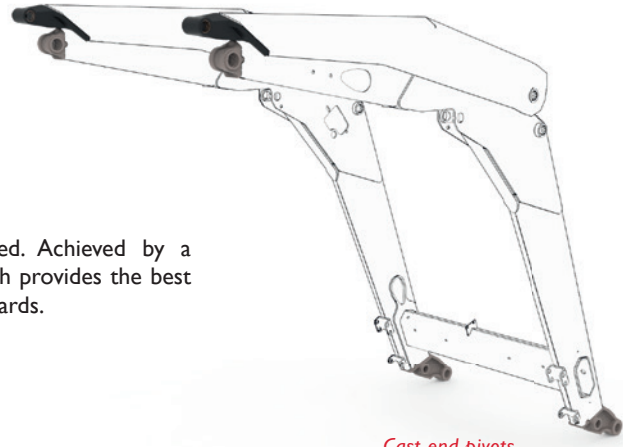
THE ADVANTAGE

Well integrated hydraulic and electrical systems improve the general compatibility of the tractor loader unit, resulting in increased productivity



▶ PROVEN STRENGTH AND QUALITY

- Robust loader structure with cast end pivots
- 100% of loaders tested before delivery
- Optimum tractor performance is maintained. Achieved by a wide clearance around the front wheels, which provides the best integration for the front axle, tyres and mudguards.



Cast end pivots

▶ MX KNOW-HOW MAINTAINED

- Expert customization of tractors with MX products: tailor-made solutions.
- Durability tests for each new tractor study
- Full compatibility with MX front linkage (*shared elements: chassis structure, controls, shock absorber, etc.*)

THE ADVANTAGE

**Over 9,000 compatible tractors
More than 42 paint colours available for a perfectly
matched tractor / loader combination**

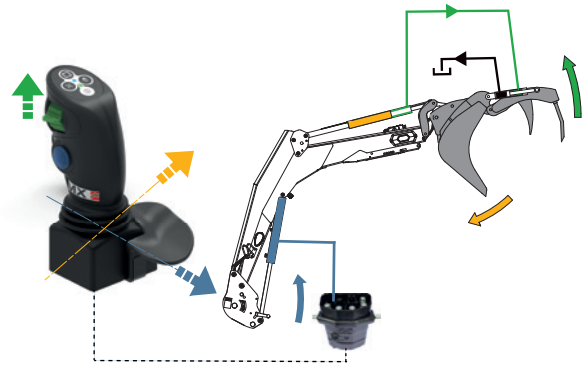
Wide variety of equipment available

Many MX options are compatible with the U500 series

▶ AUTO-UNLOAD

For combined movements (grab, dumping)

- Easy unloading, open grab and dump simultaneously
- Performed by means of the direct and progressive 3rd function (*E-PILOT S thumb wheel*)
- Convenient use through a single control action



▶ AUTO-LEVEL

Automatic implement reset (*return-to-dig*)

- Implements can be automatically repositioned to a pre-selected position (*E-PILOT S*)
- AUTO-LEVEL is set using a sensor located on the indicator rod

MX CONTROL

The U500 range is compatible with all MX controls for instinctive use and easy integration in the cab

E-PILOT S
Electronic control

FLEXPILOT
Low pressure control

PROPILOT
Cable control

▶ WORKING LIGHTS



Spot light on implements

- Powerful lighting (800 lumen) located under the loader's arm for working at night and handling in poorly lit buildings
- Additional lighting to the tractor's existing lights to improve visibility of the implement (e.g. position of the bucket blade, MANUBAL tines, etc.) and the load itself (bales, manure, pallets, etc.)



Features and optional equipment

EQUIPMENT	DESCRIPTION	STANDARD	OPTIONAL
FITLOCK 2+®	Loader hitching/unhitching Single descent	✓	
Implement carrier	Automatic implement locking	✓	
Anti-shock valves	Full protection of loader moving forward/reversing	✓	
Indicator rod	Implement position indication	✓	
EASY-PLUG®	Decompression of the 3 rd function		✓
MACH SYSTEM®	Electrohydraulic tractor/loader multi-connection – Single action		✓
3rd function	Additional function for controlling the implement		✓
Independent 3rd function line	For the three-section original control valve		✓
4th function	Additional function to control an implement requiring two hydraulic supplies		✓
Electrically fitted for 4th function on implement	Electrical socket on implement carrier		✓
MACH 2®	Quick connection of the 3 rd or 4 th function		✓
SHOCK ELIMINATOR®	Loader and linkage suspension		✓
SHOCK ELIMINATOR® electrical isolator	Electrical activation/deactivation of the suspension from the cab		✓
Work lights	Lighting focused on the implement		✓
Mixed implement carriers	MX/EURO, EURO/SMS, EURO/SIGMA 4, EURO/TENIAS		✓
FAST-LOCK®	Automatic unlocking of implement carrier		✓
Lifting/dumping safety device	Protection for people around the loader		✓
AUTO-UNLOAD®	Combined movement using the E-PILOT S thumbwheel		Included on E-PILOT S thumbwheel
AUTO-LEVEL®	Automatic implement position reset		Exclusive on E-PILOT S



Range performance overview

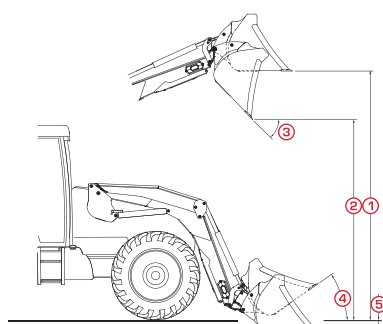
16 MODELS FROM 40 TO 260 HP

	U503	U504	U505	U506	U506+
Parallelogram	✓		✓	✓	
Tractor POWER (HP)	40 - 100	40 - 100	50 - 120	50 - 120	50 - 120
LIFT HEIGHTS					
<i>Maximum height at implement pivot*</i>	3.50 m	3.50 m	3.70 m	3.70 m	3.70 m
Max. height under horizontal bucket ^①	3.25 m	3.25 m	3.45 m	3.45 m	3.45 m
Max. height under dumped bucket# ^②	2.70 m	2.70 m	2.90 m	2.90 m	2.90 m
WORKING ANGLES					
Dumping angle at full height# ^③	50°	50°	52°	52°	52°
Crowding angle on the ground# ^④	47°	47°	47°	47°	47°
DIGGING DEPTH ^⑤	0.20 m	0.20 m	0.20 m	0.20 m	0.20 m
LIFTING FORCE at implement pivot axis*	1820 kg	1790 kg	2390 kg	1860 kg	2360 kg
CAPACITY at implement pivot axis over entire lifting range*	1620 kg	1600 kg	2180 kg	1700 kg	2160 kg
PAYLOAD** at 800 mm from implement pivot axis (kg)					
On the ground:	1100 kg	1350 kg	1535 kg	1390 kg	1815 kg
2 m above ground:	1035 kg	1365 kg	1485 kg	1430 kg	1865 kg
3 m above ground:	965 kg	1365 kg	1405 kg	1430 kg	1865 kg
At max. height:	940 kg	1365 kg	1370 kg	1430 kg	1865 kg
LIFTING TIME	3.1 s	3.1 s	4.3 s	3.5 s	4.3 s
DUMPING TIME	1.4 s	1.4 s	1.4 s	1.4 s	1.9 s
WEIGHT WITHOUT EQUIPMENT	438 kg	493 kg	463 kg	533 kg	540 kg

FOCUS ON THE “+” VERSIONS

The U500+ versions are more capable in terms of lifting/crowding capacity, in order to carry out specific tasks (loading heavy and bulky materials, using implements with long overhangs, etc.)

U507	U508	U508+	U509	U510	U510+	U511	U512	U512+	U514	U514+
✓	✓			✓	✓		✓	✓	✓	✓
80 - 130	80 - 130	80 - 130	90 - 180	90 - 180	90 - 180	110 - 230	110 - 230	110 - 230	120 - 260	120 - 260
3.85 m	3.85 m	3.85 m	4.00 m	4.00 m	4.00 m	4.20 m	4.20 m	4.20 m	4.50 m	4.50 m
3.60 m	3.60 m	3.60 m	3.75 m	3.75 m	3.75 m	3.95 m	3.95 m	3.95 m	4.25 m	4.25 m
3.05 m	3.05 m	3.05 m	3.20 m	3.20 m	3.20 m	3.40 m	3.40 m	3.40 m	3.70 m	3.70 m
52°	52°	52°	52°	52°	52°	50°	51°	51°	50°	50°
47°	47°	47°	47°	47°	47°	47°	47°	47°	47°	47°
0.20 m	0.20 m	0.20 m	0.20 m	0.20 m	0.20 m	0.20 m	0.20 m	0.20 m	0.20 m	0.20 m
2740 kg	2320 kg	2700 kg	2620 kg	2570 kg	2970 kg	2410 kg	2370 kg	2750 kg	2700 kg	3120 kg
2410 kg	2050 kg	2380 kg	2310 kg	2280 kg	2630 kg	2170 kg	2140 kg	2470 kg	2360 kg	2720 kg
1800 kg	1785 kg	2115 kg	1725 kg	2015 kg	2355 kg	1620 kg	1880 kg	2235 kg	2180 kg	2555 kg
1700 kg	1785 kg	2115 kg	1640 kg	2015 kg	2355 kg	1555 kg	1890 kg	2200 kg	2150 kg	2515 kg
1600 kg	1785 kg	2110 kg	1550 kg	2010 kg	2325 kg	1480 kg	1880 kg	2200 kg	2125 kg	2490 kg
1535 kg	1785 kg	2100 kg	1490 kg	1985 kg	2275 kg	1430 kg	1880 kg	2200 kg	2090 kg	2490 kg
5 s	4.3 s	5 s	5 s	5 s	5.7 s	5 s	5 s	5.7 s	6 s	6.8 s
1.6 s	1.9 s	2.2 s	1.6 s	1.9 s	2.2 s	1.6 s	1.9 s	2.2 s	2.3 s	2.3 s
486 kg	561 kg	570 kg	527 kg	614 kg	618 kg	553 kg	671 kg	675 kg	726 kg	728 kg



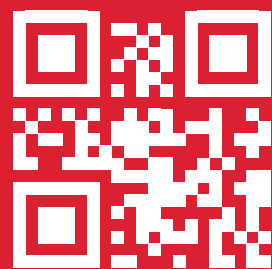
Specifications determined at a pressure of 195 bar and a flow rate of 60 litres/min.
Data may vary depending on the type of tractor being equipped.

- * Payloads only. The figures at ground level and at the implement pivot axis are not to be used / lift force and capacity at the pivot axis are calculated without implements hitched to the loader
- ** Payload is calculated with a 180 kg implement
- # Figures provided for an earth bucket



MX 
part of M-extend

Visit us at



www.m-x.eu

